

---

# SECTION ACC

## ACCELERATOR CONTROL SYSTEM

A  
ACC  
C  
D  
E  
F  
G  
H  
I  
J  
K  
L  
M

### CONTENTS

<b>APPLICATION NOTICE</b> .....	2	<b>ACCELERATOR CONTROL SYSTEM</b> .....	4
How to Check Vehicle Type .....	2	Removal and Installation .....	4
<b>PRECAUTIONS</b> .....	3	REMOVAL .....	4
Precautions for Supplemental Restraint System		INSTALLATION .....	4
(SRS) "AIR BAG" and "SEAT BELT PRE-TEN-		INSPECTION AFTER INSTALLATION .....	4
SIONER" .....	3	<b>SERVICE DATA AND SPECIFICATIONS (SDS)</b> .....	5
		Tightening Torque .....	5

# APPLICATION NOTICE

## APPLICATION NOTICE

PFP:00000

### How to Check Vehicle Type

ABS00CGF

Check the transmission and vehicle serial number to confirm the service information in EC section.

Transmission	Vehicle serial number	Service information
A/T	Up to serial 329287 except 327918, 327920, 327976, 327978, 328979, 329004, 329025, 329078	TYPE 1
	For serial 327918, 327920, 327976, 327978, 328979, 329004, 329025, 329078 and from serial 329288	TYPE 2
M/T	-	

# PRECAUTIONS

## PRECAUTIONS

PF0:00001

### Precautions for Supplemental Restraint System (SRS) “AIR BAG” and “SEAT BELT PRE-TENSIONER”

ABS00CGG

The Supplemental Restraint System such as “AIR BAG” and “SEAT BELT PRE-TENSIONER”, used along with a front seat belt, helps to reduce the risk or severity of injury to the driver and front passenger for certain types of collision. This system includes seat belt switch inputs and dual stage front air bag modules. The SRS system uses the seat belt switches to determine the front air bag deployment, and may only deploy one front air bag, depending on the severity of a collision and whether the front occupants are belted or unbelted. Information necessary to service the system safely is included in the SRS and SB section of this Service Manual.

#### **WARNING:**

- To avoid rendering the SRS inoperative, which could increase the risk of personal injury or death in the event of a collision which would result in air bag inflation, all maintenance must be performed by an authorized NISSAN/INFINITI dealer.
- Improper maintenance, including incorrect removal and installation of the SRS, can lead to personal injury caused by unintentional activation of the system. For removal of Spiral Cable and Air Bag Module, see the SRS section.
- Do not use electrical test equipment on any circuit related to the SRS unless instructed to in this Service Manual. SRS wiring harnesses can be identified by yellow and/or orange harnesses or harness connectors.

A  
ACC  
C  
D  
E  
F  
G  
H  
I  
J  
K  
L  
M

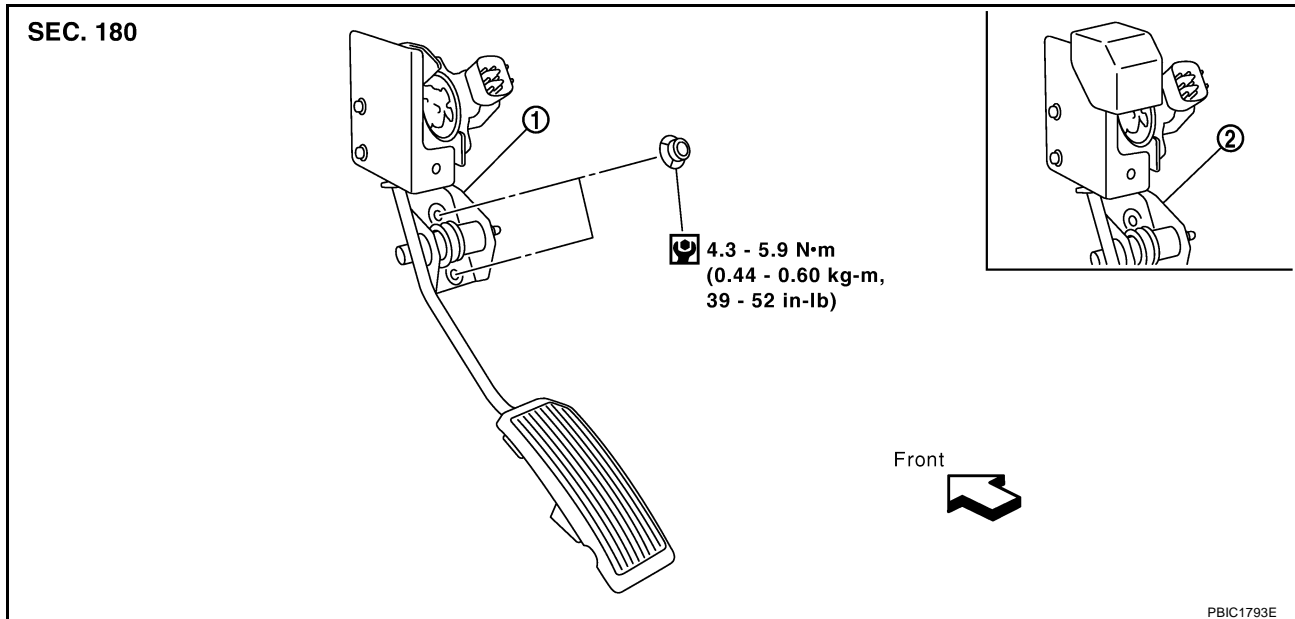
# ACCELERATOR CONTROL SYSTEM

## ACCELERATOR CONTROL SYSTEM

PFP:18005

### Removal and Installation

ABS000JI



1. Accelerator pedal assembly (Up to serial 329287 models)
2. Accelerator pedal assembly (From serial 329288 models)

#### NOTE:

For further information, refer to [GI-47, "IDENTIFICATION NUMBER"](#).

#### REMOVAL

1. Disconnect accelerator pedal position sensor harness connector.
2. Loosen nuts, and remove accelerator pedal assembly.

#### CAUTION:

- Do not disassemble the accelerator pedal assembly. Do not remove the accelerator pedal position sensor from the accelerator pedal assembly.
- Avoid impact from dropping etc. during handling.
- Be careful to keep the accelerator pedal assembly away from water.

#### INSTALLATION

Install in the reverse order of removal.

#### INSPECTION AFTER INSTALLATION

- Check that the accelerator pedal moves smoothly within the whole operation range.
- Check that the accelerator pedal securely returns to the original position.
- For the electrical inspection of the accelerator pedal position sensor, refer to [EC-304, "DTC P0226 APP SENSOR"](#), [EC-311, "DTC P0227, P0228 APP SENSOR"](#) and [EC-532, "DTC P1227, P1228 APP SENSOR"](#) (TYPE 1) or [EC-1211, "DTC P2122, P2123 APP SENSOR"](#), [EC-1218, "DTC P2127, P2128 APP SENSOR"](#) and [EC-1232, "DTC P2138 APP SENSOR"](#) (TYPE 2).

#### CAUTION:

When the harness connector of the accelerator pedal position sensor is disconnected, perform "Accelerator Pedal Released Position Learning". Refer to [EC-51, "Accelerator Pedal Released Position Learning"](#) (TYPE 1) or [EC-692, "Accelerator Pedal Released Position Learning"](#) (TYPE 2).

# SERVICE DATA AND SPECIFICATIONS (SDS)

## SERVICE DATA AND SPECIFICATIONS (SDS)

PFP:00030

### Tightening Torque

ABS000JJ

Unit: N·m (kg·m, in·lb)

Accelerator pedal assembly	4.3 - 5.9 (0.44 - 0.60, 39 - 52)
----------------------------	----------------------------------

A

ACC

C

D

E

F

G

H

I

J

K

L

M

# SERVICE DATA AND SPECIFICATIONS (SDS)

---